

# IRTP International Roaming Test Platform

By using 2G/3G/4G multi-RAT networking emulation to move mobile device real network roaming test into lab to improve test efficiency of roaming capability of mobile device and roaming strategy verification.

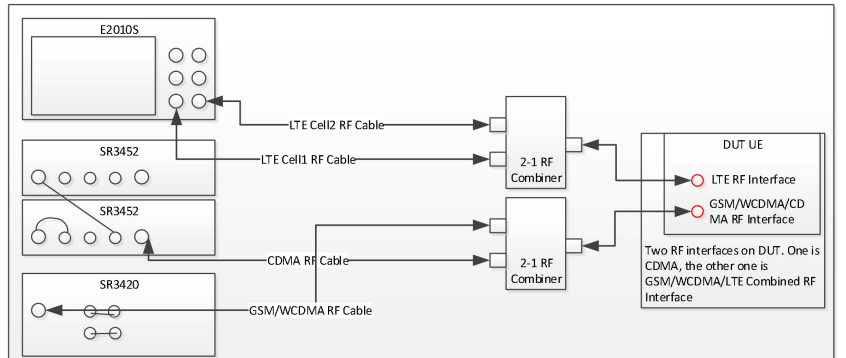
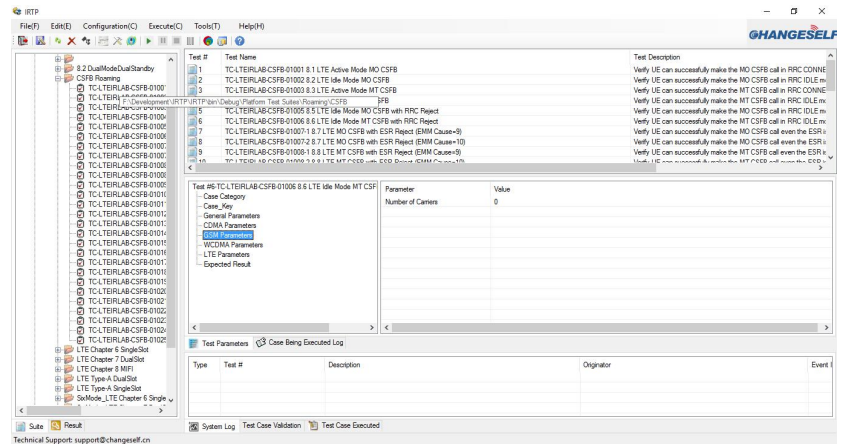
It is an automation solution based on 2G/3G/4G multi-RAT network emulator and execute test case and generate report automatically. Total solution meets the requirement of mobile devices' roaming capability and strategy test and covers design to carrier acceptance test stage.

By full control of 2G/3G/4G multi-RAT network simulator and DUT, IRTP realizes automatic test procedure, executes test case step by step and save test result in real time. By eliminating much more effort on test environment setup, test scenario configuration, test report generation etc., IRTP will solve those main problem in current test work:

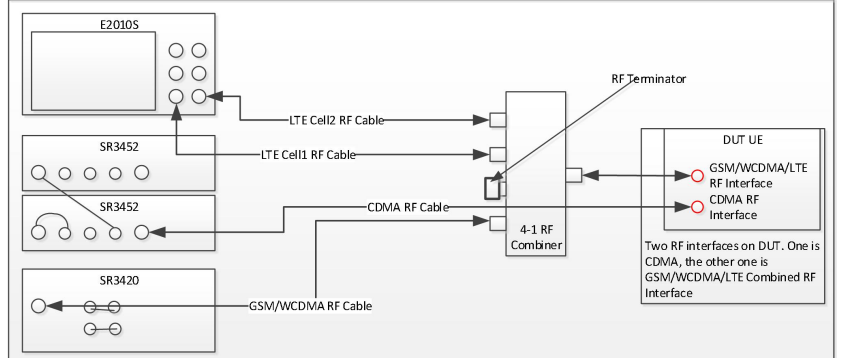
- Have to write test scrip to realize automation
- Have to record test result manually
- Manually repeat multiple test
- Time and cost consumption due to low test efficiency
- Test result confidence
- Result data management and log tracing

IRTP and 2G/3G/4G multi-RAT network simulator provides automation lab-test solution. It covers all test requirements of specified carrier roaming test IRTP is able to ensure test result accuracy, confidence and repeatable. It helps test engineer to find those possible functionality and performance related issues and verify whether the solution fix the issue found in short term. IRTP could be used in below test field:

- Carrier Acceptance
- Pre-launch Evaluation
- Product Evaluation
- Field and System Performance Analysis
- Application and functionality testing
- Function Reliability and Regression



UE with two RF interface(GSM/WCDMA/CDMA Combined RF Interface and LTE RF Interface)



UE with two RF interface(GSM/WCDMA/LTE Combined RF Interface and CDMA RF Interface)

testing

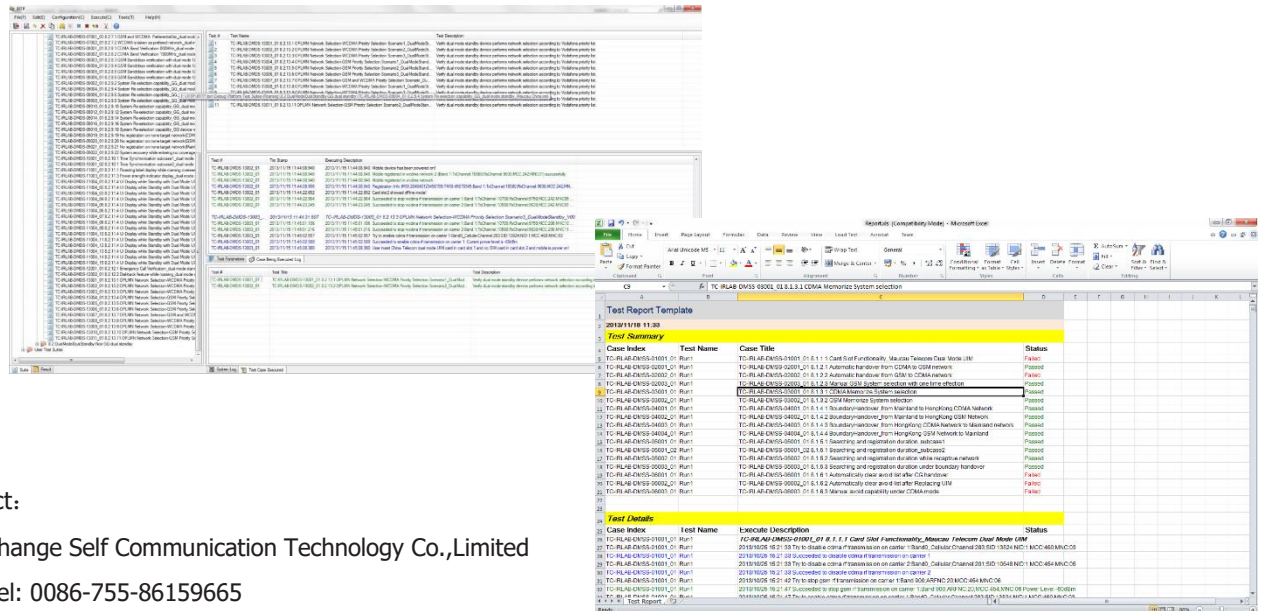
# IRTP Easy test, flexible, improving efficiency of Mobile device roaming Capability Test

## Key Features

- CDMA/GSM/WCDMA/LTE(FDD/TDD) roaming scenarios simulation
- Customized test case parameter for different test purpose
- Test environment is configured automatically
- Automatically setup communication with DUT
- Test profiles management
- Complete automation while running test script
- Recording test result and generate report automatically
- Covering 2G,3G, 4G terminal roaming strategy verification test
- CSFB roaming and VoLTE roaming enabled.

## Product Advantages

- Automation-Save test time and improve test efficiency. Running hundreds of repeatable test without any user interaction
- Repeatable- Repeat testing for product optimization. Selection test for different types of products
- Automation test commands edit to realize fully control and monitor to DUT
- Customized test parameter configuration to meet any test scenario or requirement
- Real time saving test result and test log, generate test report automatically
- Unique test platform for any device for carrier acceptance test
- Support integrating with any network emulator
- Improve utilization of facility



Contact:  
 Change Self Communication Technology Co.,Limited  
 Tel: 0086-755-86159665  
 Fax: 0086-755-26534894  
 E-mail: sales@changeself.cn